

OBSOLETE	GRIGIO (GREY)	PA 6.6 CAR. VETRO	282090-2
	NERO (BLACK)	(PA 6.6 G.F.)	282090-1
	FINITURA / COLORE (FINISH / COLOUR)	MATERIALE (MATERIAL)	NUMERO (PART NUMBER)

CUSTOMER DWG. FOR REFERENCE ONLY DISEGNO PER CLIENTE SOLO PER RIFERIMENTO

D Revised FOR ET00-0072-38 M.P. 7-4 '98 C obsolete P/N -2:ET00-0242-97 MP 23-7 '97 A1 UP DATED (ET00-0342-96) C B 9-96 A SEE SHEET 2 of 2 C B 9-96 7 DRAFTING CHANGES C B 12-93 6 UP-DATED C B 3-93 5 UP-DATED C B 10-92 4 ADDED PN ...-2 C B 8-92 3 UP-DATED C B 1-92 2 UP-DATED C B 7-90	THIS DRAWING IS UNPUBLISHED - RELEASE FOR PUBLICATION 19 © COPYRIGHT 19 BY AMP INCORPORATED, HARRISBURG, PA. ALL INTERNATIONAL RIGHT RESERVED. AMP PRODUCTS MAY BE COVERED BY U.S. AND FOREIGN PATENT AND/OR PATENT PENDING TOLLERANZE, SE NON DIVERSAMENTE SPECIFICATO (TOLERANCES, UNLESS OTHERWISE SPECIFIED) ± 0.3 ANGOLI (COR.) ± 2° DIS. C. BERTINI (DR.) 7-90 CONT. A. BRUNI (CHK) 7-90	DIAM. ISOLANTE (INS. DIA. RANGE) - RANGO FILO (WIRE RANGE) - SCALA (SCALE) - AMP AMP ITALIA S.p.A. Corso F.lli Cervi, 15 COLLEGGNO (TORINO)
REV. REVISIONI DIS. DATA APP. (APP.)	DESCRIZIONE (DESCRIPTION) 6 POS. PLUG ASS'Y AMP SUPERSEAL 1.5 SERIES CONNECTORS	LOC. SIZE NUMERO (DWG NO) REV. FOGLIO (SHEET)

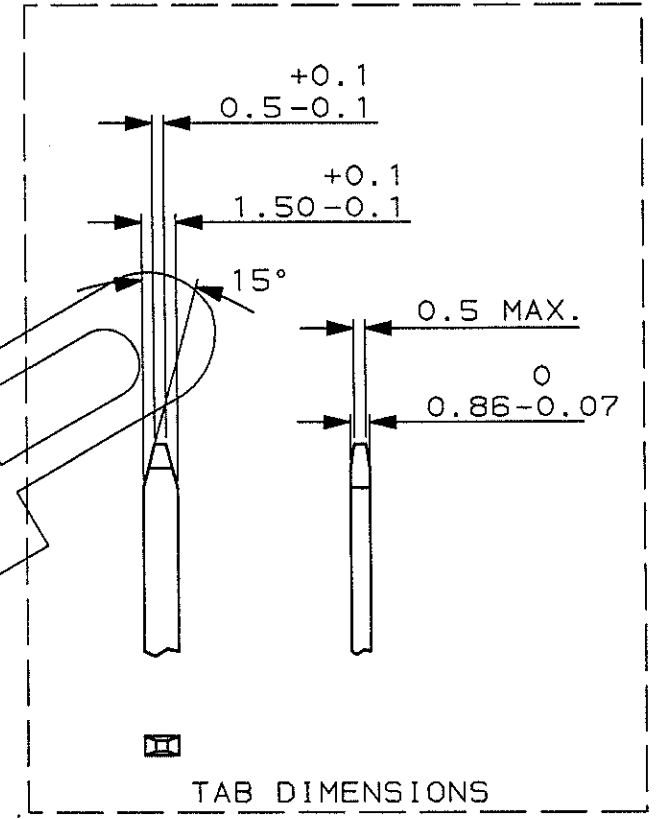
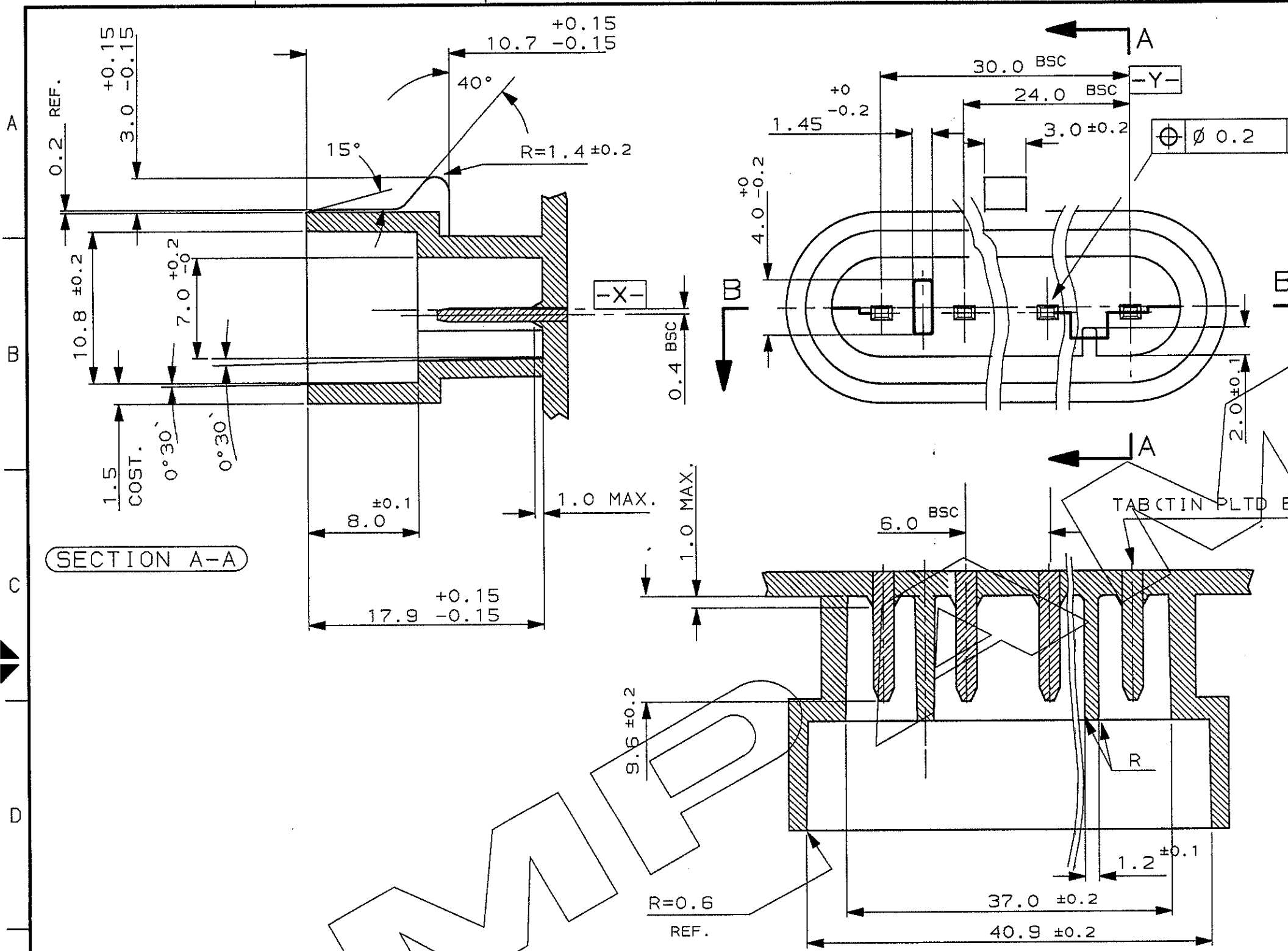
AGGANCIAMENTO SECONDARIO, COLORE ROSSO, PRE-ASSEMBLATO (SECONDARY LOCK, RED COLOUR, IN PRE-ASSEMBLED POSITION)

TRIBUZIONE INT. DIST.

SCALA NON IMPEGNATIVA
(DO NOT SCALE)
DIMENSIONI IN mm
(DIMENSIONS IN IN)

METRIC

PROIEZIONE EUROPEA
(EUROPEAN PROJECTION)



AMP

SECTION B-B

FINITURA / COLORE (FINISH / COLOUR)	G.F PA 6 6	MATERIALE (MATERIAL)	NUMERO (PART NUMBER)
--	---------------	-------------------------	-------------------------

CUSTOMER DWG. FOR REFERENCE ONLY DISEGNO PER CLIENTE SOLO PER RIFERIMENTO

THIS DRAWING IS UNPUBLISHED RELEASE FOR PUBLICATION 19

© COPYRIGHT 19 BY AMP INCORPORATED, HARRISBURG, PA. ALL INTERNATIONAL RIGHT RESERVED. AMP PRODUCTS MAY BE COVERED BY U.S. AND FOREIGN PATENT AND/OR PATENT PENDING

TOLLERANZE, SE NON DIVERSAMENTE SPECIFICATO (TOLERANCES, UNLESS OTHERWISE SPECIFIED)	DIAM. ISOLANTE (INS. DIA. RANGE)	RANGO FILO (WIRE RANGE)	SCALA (SCALE)
± 0.3	-	-	-

ANGOLI (ANGLES) ± 2°

DIS. C. BERTINI

CON. (CHK) -

APP. (APP.) -

AMP AMP ITALIA S.p.A.
Corso F.lli Cervi, 15
COLLEGNO (TORINO)

DESCRIZIONE (DESCRIPTION) COUNTERPART FOR SIX POS.REC.HSG.ASS'Y

REV. (REV.)	REVISIONI (REVISION RECORD)	DIS. DATA (DR. DATE)	LOC. SIZE NUMERO (DWG NO)	REV.	FOGLIO (SHEET)
			I A3 C-282090	-	2 (OF) 2

REV. (REV.)	REVISIONI (REVISION RECORD)	DIS. DATA (DR. DATE)

VEDI FOGLIO 1

ISTRUZIONE
PRINT DIST. 2